

# MaxxPoint

## Functions:

- Chilled display unit for all product-groups (Bakery products, Snacks, Meat and Sausage, Delicatessen, Salads, Cheese, Fish etc.).
- Turntable feature, for displaying goods and to assist serving.
- Highly efficient circulating air system.

## Advantages:

- Semicircular front delivers an impressive presentation - a real eye-catcher!
- Several MaxxPoint modules can be combined to give an even greater presentational unit.
- Easy-to-clean with smooth surfaces and easily-removable turntable.
- Display window is well ventilated and does not mist over.
- Maximum variability: can be combined with all counter modules of AICHINGER.



## AICHINGER GmbH

Headquarter

Ostring 2  
90530 Wendelstein (Germany)

zentrale@aichinger.de

www.aichinger.de

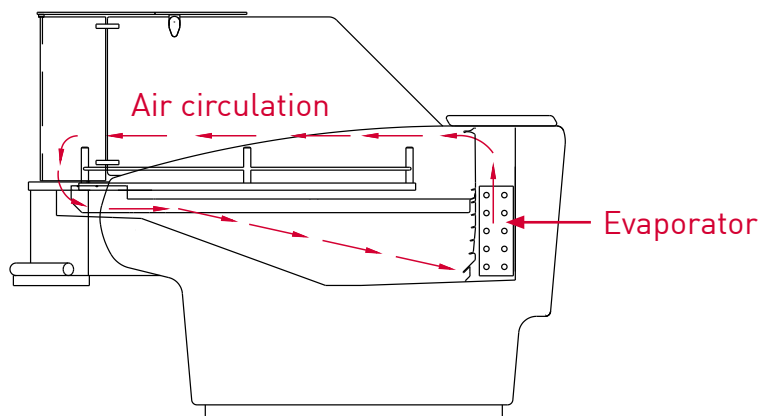
Tel.: +49 9129/406-0

Fax: +49 9129/406-130

# AICHINGER

Shops for Success.

### Function of the circulating air system



### Glass top and plan

